



**Monitor Mount RMS-A660**

**User Manual**



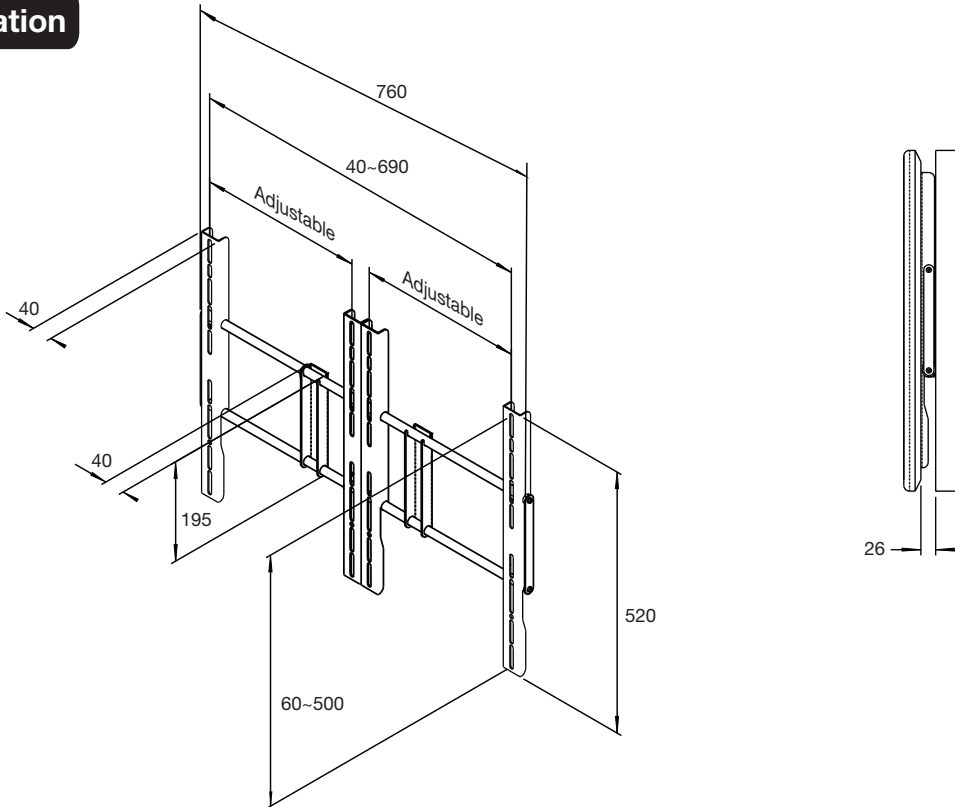
# Flush Wall Mount



1. This wall mount is designed for maximum weight of 80 kgs LCD TV/Plasma.  
Heavier than 80 kgs loading may result in instability or possible injury.
2. Be aware of the specification as first page
3. Please choose the thickness of solid wall over 50mm
4. Please evaluate the wall material whether is suitable for installation
5. Recommend more people's help to hold the TV while installation
6. Unplug all the cable off the TV before installation

## Specification

Unit: mm



## Function

### Main Parts

ITEM	1	2	3	4	5
PART					
SIZE	198x40x24	520x40x24	198x18x2	φ14x745	M5x10
QTY	2	2	2	2	2

### Parts for Wall Brackets

ITEM	6	7
PART		
SIZE	M6x74	M6x74
QTY	6	6

### Parts For TV Brackets

ITEM	8	9	10	11	12	13	14	15	16	17	18
PART											
SIZE	M4x30	M5x15	M5x30	M6X15	M6X30	M8X15	M8X40	φ11xd4	φ24xd8		
QTY	4	4	4	4	4	4	4	4	4	8	8

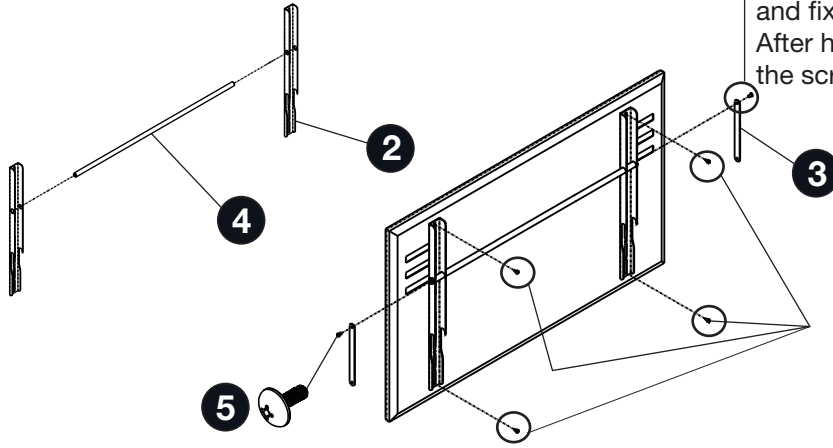
\*\*M5x 10 = Diameter 5mm x Length 10mm

**Installation**

Please follow the pictures step by step for installation.

Note: Please keep the mount stay parallel while installation on the wall

**I. Install the mount on the TV side**



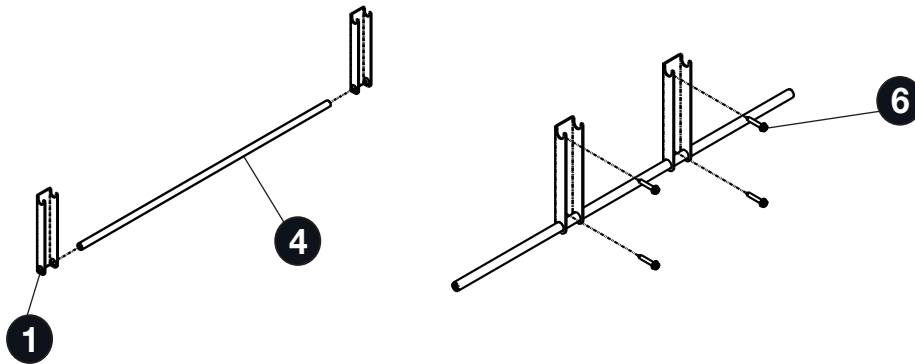
Note: choose one side of the TV Mounts and fix **3** with the screw in the upper hole. After hooking the TV on the wall, fix **3** with the screws for the other 3 holes.

SELECT	
<b>8+15+16</b>	
<b>9+16</b>	
<b>10+16</b>	
<b>11</b>	
<b>12</b>	
<b>13</b>	
<b>14</b>	

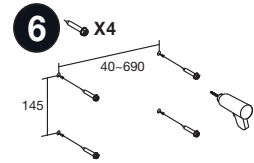
Note: Please select the screws which match your TV holes from the right for installation .

**II. Install the mount on the wall side**

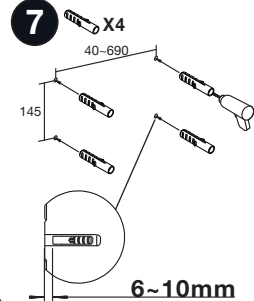
Please measure and leave the distance between the installing the TV-side mount and the installing the wall-side mount, and keep the mount stay parallel while installation.



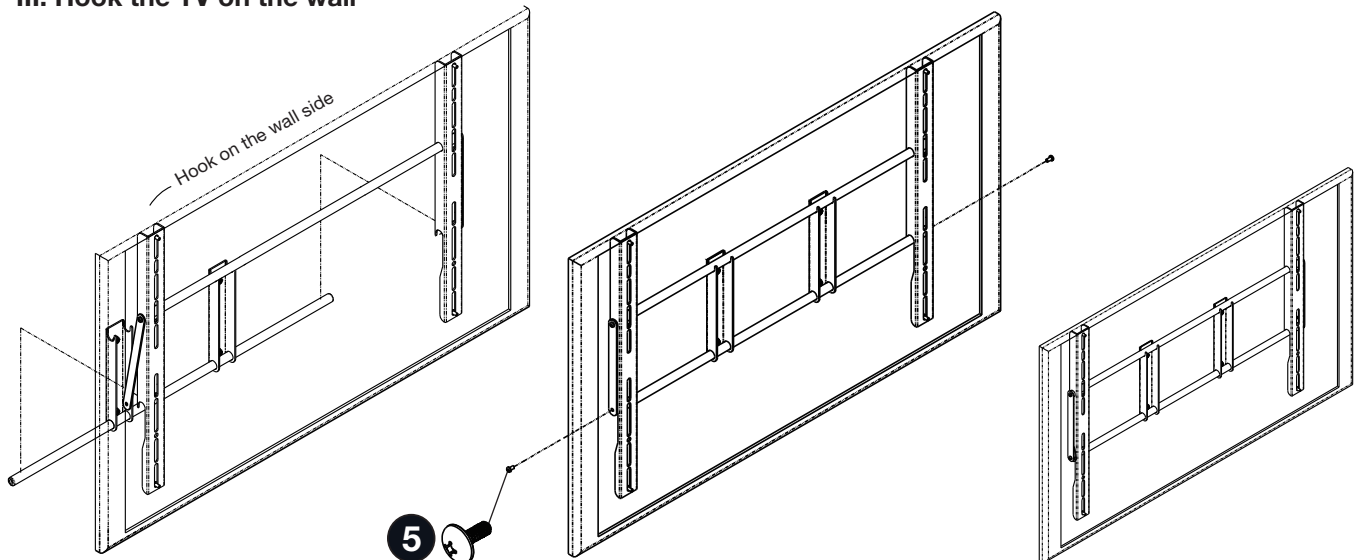
**WOODEN WALL**



**CONCRETE WALL**



**III. Hook the TV on the wall**



Thank you for purchasing a quality Rosewill Product.

Please register your product at : [www.rosewill.com/](http://www.rosewill.com/) for complete warranty information and future support for your product.